

**esse** firewall®



Warmth, light and movement



MASTER STOVE  
MAKER SINCE 1854

# CHOOSE STYLE

Firewall® is the slim profile, wall mounted flueless gas fire. Firewall® incorporates flueless technology which gives you the freedom to 'hang' the fire where it suits you without the restrictions of flues or chimneys.

The burner creates a flame pattern across the width of the fire window over a bed of glowing embers. **The burner is exclusive to ESSE.** Every ESSE burner is made in England and tested before it leaves the factory.

Firewall® is available for both natural gas and LPG, with remote control options and a choice of sizes. In addition, Firewall® incorporates long established flueless catalytic technology which allows you the freedom to 'hang' Firewall® without the need for a chimney or flue.

ESSE Firewalls use patented technology licensed in the UK GB2275331B.

ESSE Firewalls are recommended as secondary heat sources. An air vent is required for all flueless gas appliances.

# CHOOSE SIZE

Firewall® is available in a contemporary black glass finish in a choice of three sizes – 39" portrait, 41" widescreen and 48" extra widescreen. Firewalls are measured corner to corner in inches just like a television.



# CHOOSE EFFICIENCY

With Firewall® 100% of the heat comes into the room. No heat is lost up a flue or chimney as would be with a decorative fire with a flue. The result is lower gas use and lower running costs.

Firewall® has a single layer of ceramic glass covering the firebox, this allows radiant heat to pass directly through into the room. Heat also rises from the top of the fire to warm the whole room through convection. The appliance must be in a room with an openable window and built in ventilation of 100cm<sup>2</sup>.

# CHOOSE HERITAGE

## Masters of heating efficiency since 1854

Every ESSE fire can trace its ancestry all the way back to 1854 when James Smith and Stephen Wellstood made the first ESSE stove. Now, as then, they represent the very best in design and capability. The knowledge acquired over 150 years is used daily and it is our ongoing quest to develop new products.

## Born and bred in the Dales

Our Firewall® factory on the edge of the Yorkshire Dales is steeped in heating history and it is where every Firewall® is born and every burner tested before it leaves us. ESSE heating appliances are warming homes all over the world, from Alaska to New Zealand, they have also provided reliable warmth to adventurers in the frozen wastes of the Antarctic and Himalayas.



# CHOOSE firewall®

unique flueless gas wall fires by 

Warmth, light and movement

**39" Original with Black Glass**  
gives a warming 2.4kW to the room.  
Minimum room size 30m<sup>3</sup>.



"The most  
impressive tallest  
flame available."



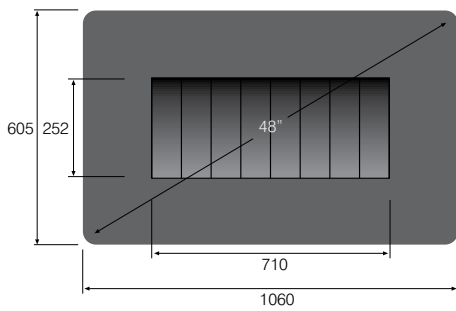
**41" Widescreen Black Glass**  
generates 2.6kW to the room.  
Minimum room size 30m<sup>3</sup>.  
Remote control optional.



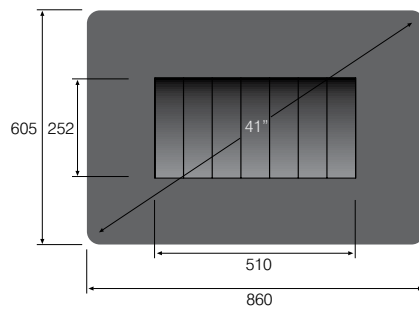
**48" Extra Widescreen  
Black Glass**  
radiates and convects  
3.5kW to the room.  
Minimum room size 40m<sup>3</sup>.  
Remote control optional.

# Dimensions and specifications

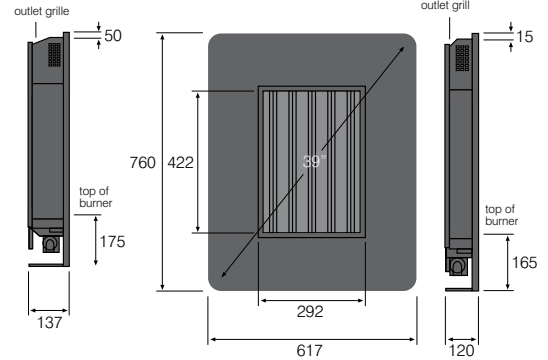
## 48" Extra Widescreen Firewall®



## 41" Widescreen Firewall®



## 39" Original Firewall®



	48" extra widescreen	41" widescreen	39" original
Gas – natural or LPG	●	●	●
Piezo spark ignition	●	●	●
Auto safety shut off	●	●	●
Fuel effect	Embers	Embers	Embers
Additional room vent	●	●	●
Heat output max / min kW	3.5/2.3	2.6/1.7	2.4/1.1
Flueless with CAT	●	●	●
Programmable remote control	Optional	Optional	

All ESSE gas appliances are available in natural gas and in LPG.

### Clearances for Firewall® Minimum clearances (mm)

SURFACE	Minimum clearances (mm)	
	COMBUSTIBLE	NON COMBUSTIBLE
Top (from outlet grille to ceiling)	1067	300
Bottom	90	90
Sides (both)	100	100
Back (wall surface)	0	0

### Ventilation and room size guidelines

Firewall® 39" and 41" should not be installed in a room less than 30m<sup>3</sup>. Firewall® 48" requires a room not less than 40m<sup>3</sup>. The room must have an openable window and built in ventilation of 100cm<sup>2</sup>. Firewall® gas fires are intended as secondary heat sources and another source of background heating is necessary.

- Designed to perform - 100% of the heat produced comes into the room
- Flueless flexibility - you are not restricted by the position of a chimney or flue
- Environmentally friendly - no energy wasted
- Tried and tested - millions of flueless gas appliances safely installed since 1980
- Remote Control - turn up and down at the touch of a button (41", 48" models)
- Installation - must be fitted by a Gas Safe registered installer
- Ventilation and room size guidelines - room size minimum 30m<sup>3</sup> for 39", 41" or 40m<sup>3</sup> for 48" All appliances must be in a room with an openable window and built in ventilation of at least 100cm<sup>2</sup>
- Not suitable for installation in bedrooms, bathrooms or under televisions
- CE marked - all ESSE gas appliances are CE marked



FG500



FG525

## Also from

### FG500 flueless gas stove

A traditional cast iron stove with flueless gas technology. FG500 boasts a stunning log fuel effect. FG500 has a manual thermostatic control with override slider. The stove gives out 3.3kW to room heat. This stove is recommended as a secondary heat source and an air vent is required. Minimum room size 40m<sup>3</sup>.

### FG525 flueless gas stove

A contemporary stove constructed from high grade steel with stainless steel leg detail. The 525 flueless boasts a log fuel effect that realistically glows with flames lapping up between the ceramic log effect and has a manual thermostatic control with override slider. The stove gives a cosy 3.3kW to the room. This stove is recommended as a secondary heat source and an air vent is required. Minimum room size 40m<sup>3</sup>.

Every ESSE firewall® is made in the United Kingdom. Every gas burner is tested before it leaves the factory.

ESSE Engineering Limited, Ouzledale Foundry, Long Ing, Barnoldswick, Lancashire BB18 6BN  
Tel: 01282 813235 Fax: 01282 816876 Email: enquiries@esse.com Website: www.esse.com

WE ARE CONSTANTLY DEVELOPING AND IMPROVING OUR PRODUCTS. WE RESERVE THE RIGHT TO ALTER SPECIFICATIONS WITHOUT PRIOR NOTICE.

